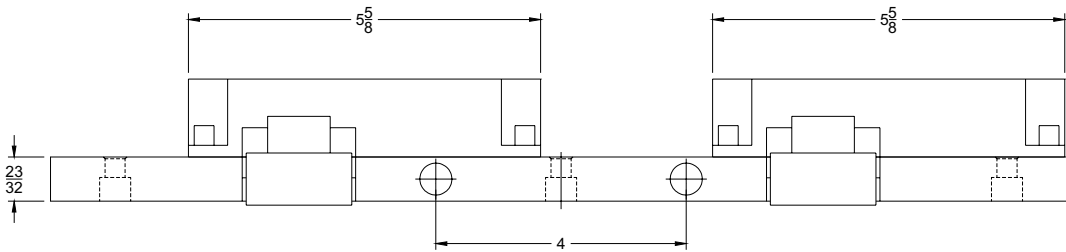
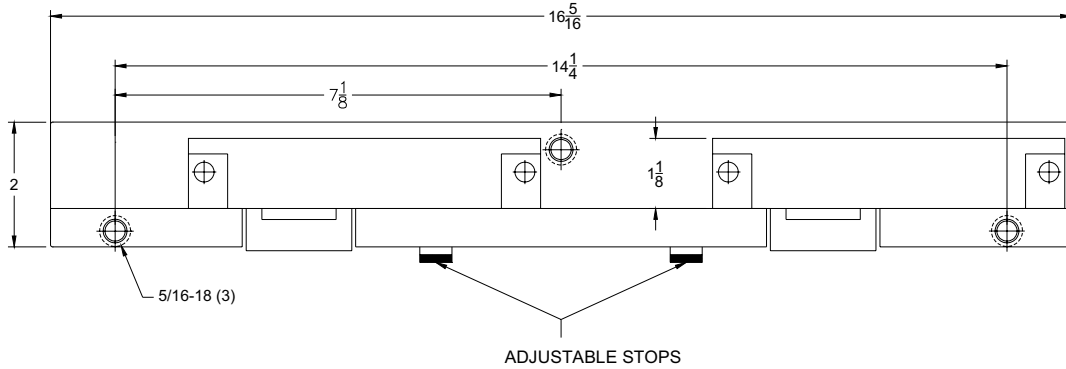


## OPTIONAL

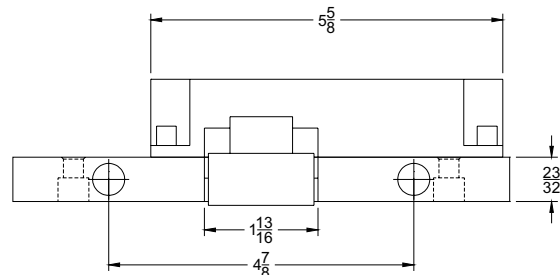
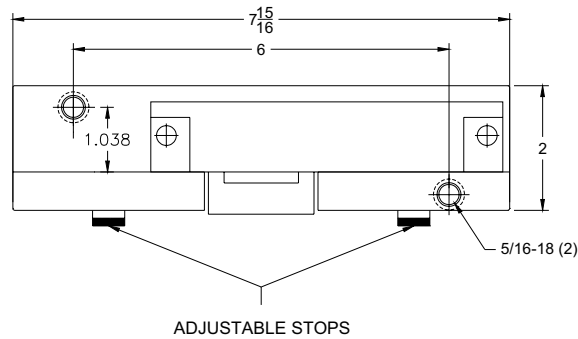
### (E) Header Preparation for Adjustable Door Stops with **ELECTRIC STRIKE**

Your Electric Stop / Strike comes with header preparation template.  
Prepare Header with threaded holes sized and located as illustrated

#### DOUBLE DOOR



#### SINGLE DOOR



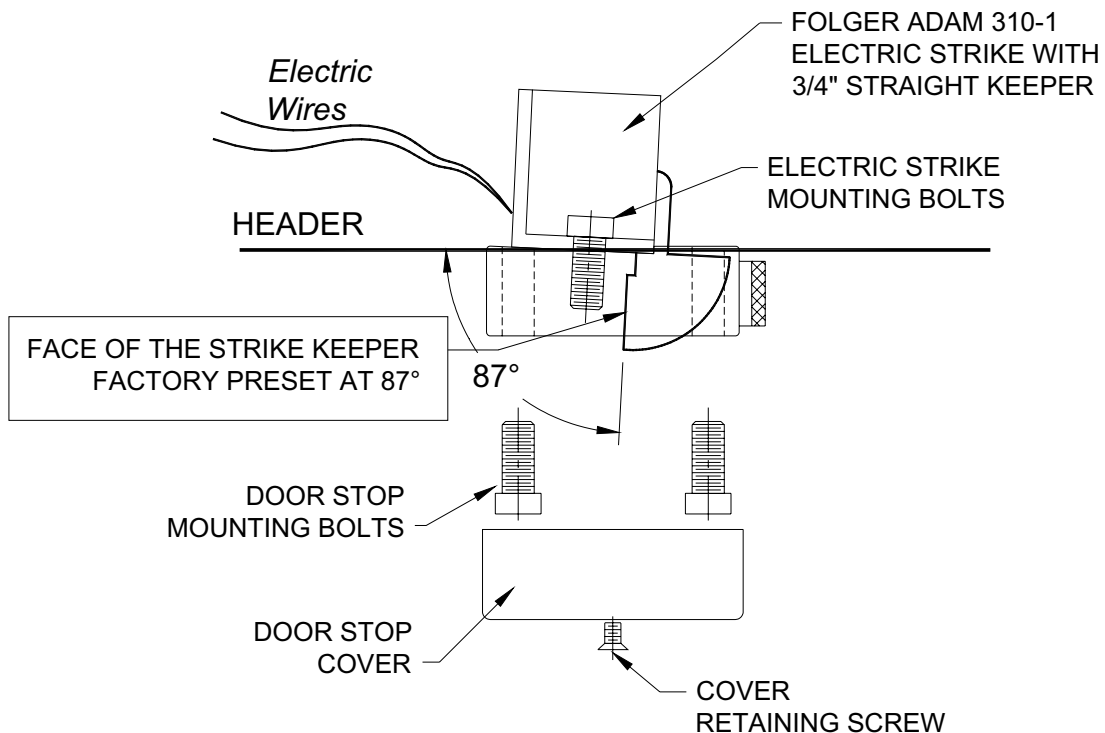
## (E) Installation and Adjustment of Door Stop - Strike. Door Stop with ELECTRIC STRIKE

### INSTALLATION

Remove Cover Retaining Screw and Door Stop Cover.

Install Door Stop - Strike in header using provided socket head cap screws (Door Stop Mounting Bolts show on the illustration). Apply thread locker to bolt threads prior to tightening with Allen wrench. Replace Door Stop Cover and fasten with Cover Retaining Screw.

### INSTALLATION OF DOOR STOP WITH ELECTRIC STRIKE



---

#### IMPORTANT NOTE FOR ELECTRIC STRIKE REPLACEMENT.

Face of the Strike Keeper **MUST** be set at 87 deg. as illustrated.

To replace Electric Strike:

- Turn off power to electric strike.
  - Remove Cover Retaining Screw and Door Stop Cover.
  - Remove Door Stop Mounting Bolts and gently lower Door Stop-Latch Keeper.
  - **DISCONNECT ELECTRICAL WIRING**
  - Remove Electric Strike Mounting Bolts and install New Electric Strike.
  - Reconnect wires to new Electric Strike using appropriate wire connectors.
  - Apply Threadlocker and tighten Electric Strike Mounting Bolts
  - Mount Door Stop / Latch Keeper in header, and Replace Door Stop Cover.
  - Turn on power to Electric Strike.
  - Verify that the strike operates properly.
-

## Adjustment of Door Stop - Strike

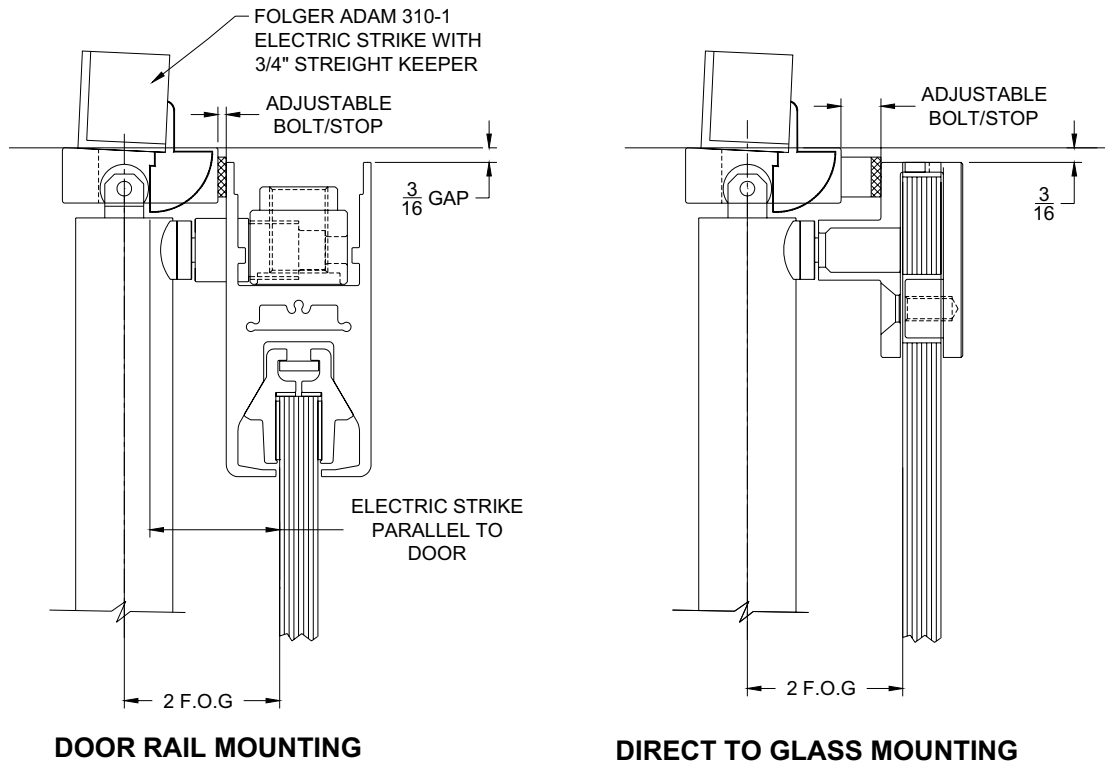
After door installation, when the door closes and comes to rest on the rubber stop pad(s) the retractable bolt should automatically move upward engaging the strike as illustrated. Distance from the Face of the Glass (F.O.G) to the center of the handle should be 2".

If retractable bolt is not engaging with the strike, door stops should be moved in, or if retractable bolt is loose inside the strike (doors are rattling), stops should be moved out.

### ADJUSTMENT

To adjust the stop, remove the rubber end piece which uncovers a socket for a 1/4" Allen wrench, insert wrench and rotate in or out as needed. One full turn is equal to approximately 1/16" of adjustment.

## DOOR STOP / EL. STRIKE APPLICATIONS



---

This completes the door installation.